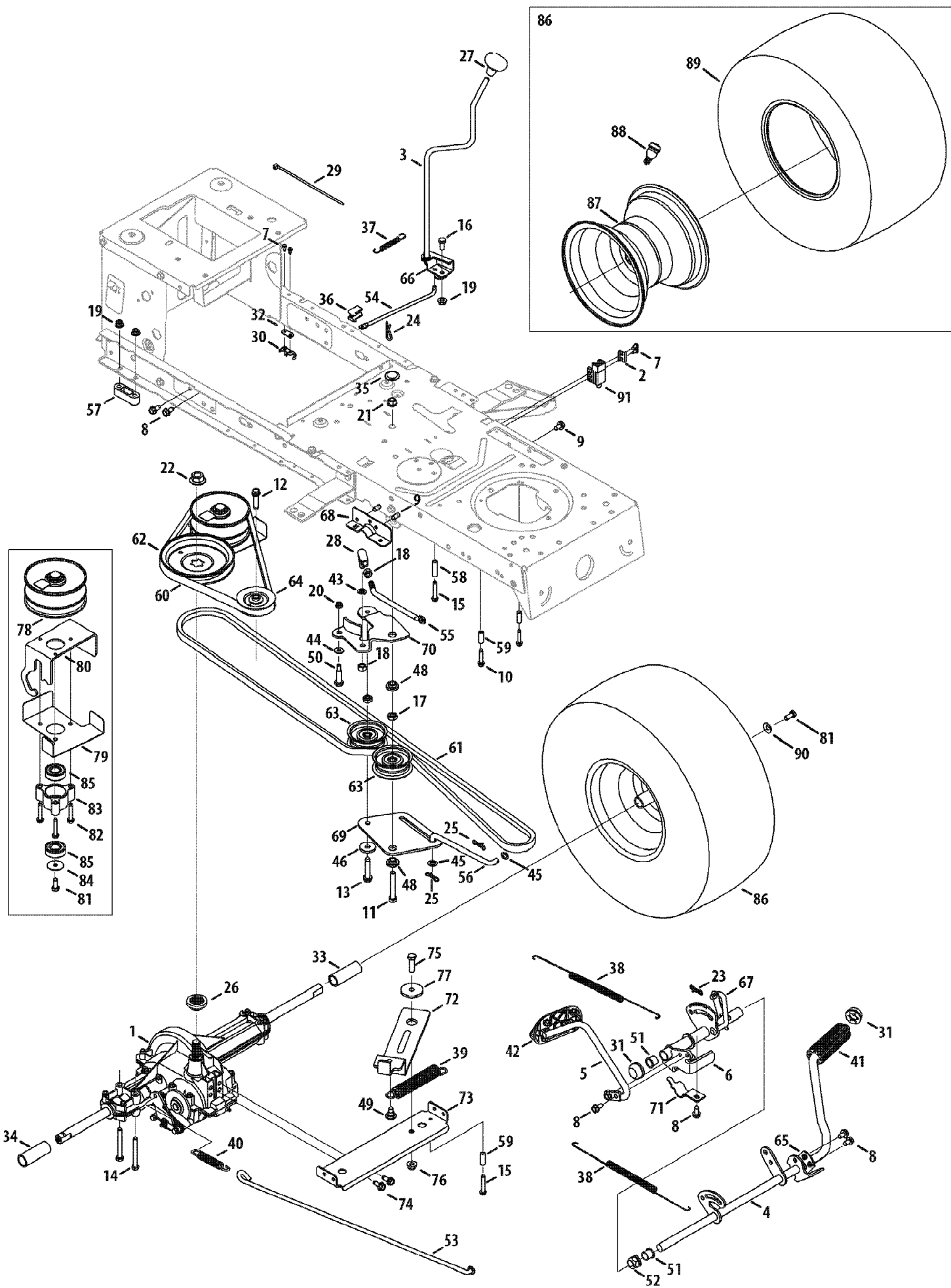


13AX78TS090 (2010)  
Drive Transmission



13AX78TS090 (2010)  
Drive Transmission

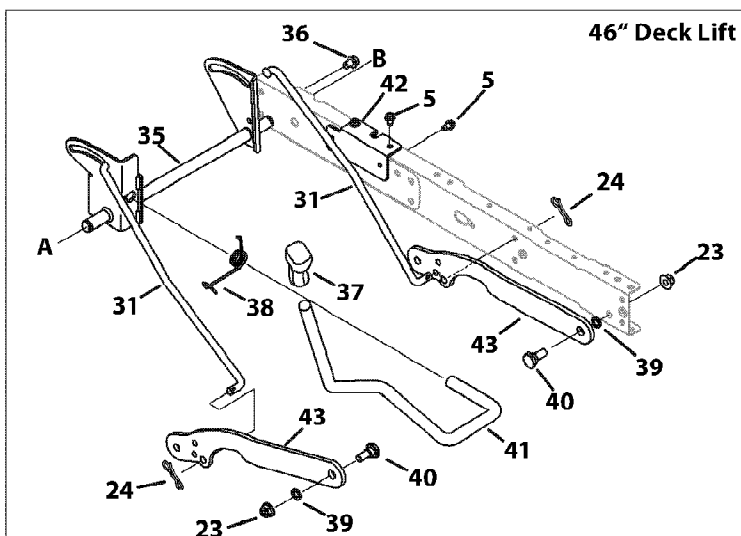
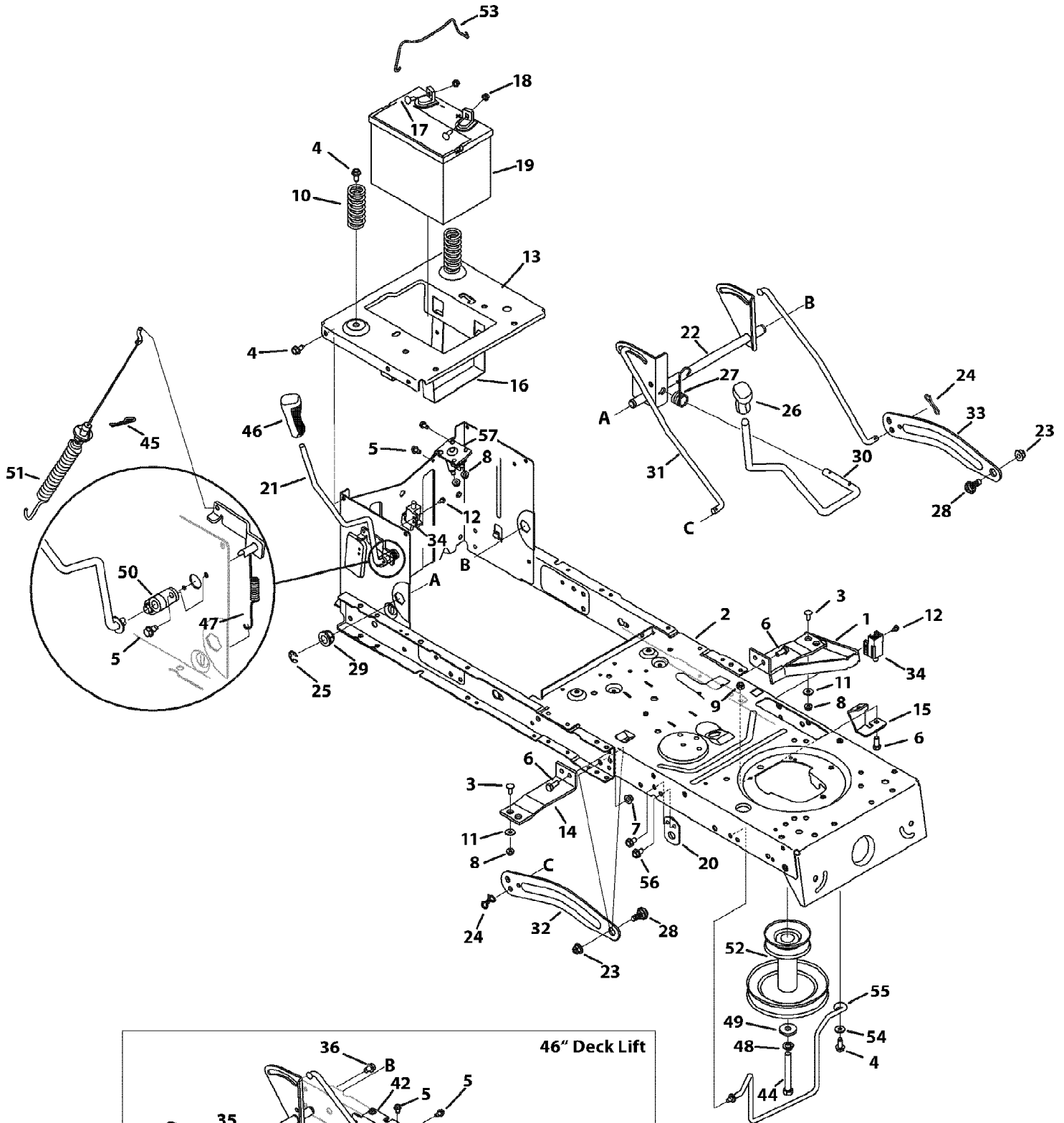
Page 2 of 21

Ref #	Part Number	Qty	S/P/F	Description
1	918-04566	1	/P	Drive Assembly, autoDrive
2	17962	1		Plate Switch
3	647-04035	1		Lever Assembly, Shift
4	647-04201-0637	1		Pedal Assembly, Drive, autoDrive
5	647-04203-0637	1	/P	Pedal Assembly, cont, autoDrive
6	683-04607	1		Bracket Assembly, Pedalal, autoDrive
7	710-0227	1	/P	Screw, ab, #8-18, 0.500, Hxindwsh
8	710-04484	1		Screw, tt, 5/16-18, .750, Hxindwsh
9	710-0604A	1	/P	Screw, tt, 5/16-18, 0.625, Hxindwsh
10	710-0809	1		Screw, tt, 1/4-20, 1.250, Hxindwsh
11	710-0859	1	/P	Hhcs, 3/8-16, 2.50, Gr5, Std
12	710-1007	1	/P	Screw, ttsems, 3/8-16, 1.500, Hxllwsh
13	710-1008	1		Screw, ttsems, 3/8-16, 1.875, Hxllwsh
14	710-1266	1	/P	Hhcs, 5/16-18, 3.50, Gr5, Std
15	710-1325	1	/P	Screw, tt, 1/4-20, 1.625, Hxindwsh
16	710-3008	1	/P	Hhcs, 5/16-18, .75, Gr5, Std
17	912-0240	1	/P	Nut, jam, 7/16-20, Gr2
18	712-0241	1	/P	Nut, hex, 3/8-24, Gr5
19	712-04063	1	/P	Nut, flglk, 5/16-18, Grf, nylon
20	712-04064	1	/P	Nut, flglk, 1/4-20, Grf, nylon
21	912-0431	1	/P	Nut, flglk, 3/8-16, Grf, top Lk
22	712-0700	1	/P	Nut, flg, 9/16-18, Gr2
23	914-0111	1	/P	Pin, cot, 3/32, 1.0
24	914-0209	1	/P	Pin, cotter Int- .125 Dia
25	714-04040	1		Pin, cot, bow-Tie 72
26	718-04407	1		Hub, Pulley, 5/8 Spline
27	720-04028	1		Knob, Shift
28	923-3018	1	/P	Ball, joint
29	725-0157	1	/P	Cable, tie, 3/16 X .05 X 7.4
30	725-1644	1		Switch, Springing, Short
31	726-0214	1	/P	Cap, push 5/8
32	926-0320	1	/P	Plate, Insulator Nut
33	731-04602	1		Sleeve, .758 X .821 X 3.3125
34	731-04604	1		Sleeve, .758 X .821 X 2.4375
35	731-06330	1		Plug, deck Hole, 7/8
36	731-06894	1		Bearing, Shift Rod
37	732-04488	1		Spring, extension, .38 Od X 3.25 Lg
38	732-04612	1		Spring, extension, .70 Dia X 12.00 Lg
39	732-04616	1		Spring, extension, .97 Od X 6.18 Lg
40	732-0716D	1	/P	Spring, extension, .59 Od X 4.00 Lg
41	735-0239	1	/P	Pad, foot, 4.0 Long
42	735-0662	1		Pad, cont
43	936-0169	1	/P	Washer, lock, 3/8, Regular Duty
44	736-0173	1	/P	Washer, flat, .28 X .74 X .063
45	936-0185	1	/P	Washer, flat, .375 X .738 X .063
46	736-0322	1	/P	Washer, flat, .450x1.250x.164, Ht
48	738-0372B	1	/P	Spacer, shl Drive, 1.00 X .38 X .38
49	738-04091A	1	/P	Screw, shl Drive, .43x.29, Tt, 5/16-18
50	938-0572	1	/P	Screw, shld, .374 Dia. X 1.16 Lg.
51	741-0495	1	/P	Bearing, flg, .630 Idx .695 Od X .60
52	741-3065B	1	/P	Bearing, hex Flg, .628 Id, split
53	747-05188	1		Rod, brake, It-5 Trans
54	747-05243	1		Stretch 46"

13AX78TS090 (2010)  
Drive Transmission

Page 3 of 21

Ref #	Part Number	Qty	S/P/F	Description
55	747-05251A	1		Rod, adj, Idler, 3/8
56	747-05307	1		Rod, trans, foot Pedal Bypass
57	948-0334	1	/P	Spacer, T-Axle .68
58	750-04456	1		Spacer, .260 X .372 X 1.420 Lg
59	750-0566A	1	/P	Spacer, .260 X .375 X 1.030 Lg
60	954-04208	1	/P	Belt, v Typ, 5l X 40.9 Lg Poly
61	954-0467	1	S	Belt, v Typ, 5l, 90.80, Poly
62	956-04002	1	/P	Pulley, v Typ, 7.25 Dia Spun
63	756-04224	1	/P	Pulley, Idler, flat 2.75 Od
64	756-04325	1	/P	Pulley, Idler, v-Type X 3.06
65	783-04536B-0637	1	/P	Bracket, Pedal, support Lt-5
66	783-04595A	1		Bracket, Shift, adj
67	783-06278	1		Plate, Bracket, reinforcement
68	783-06562-0637	1		Bracket, Pedal, frame Rh
69	783-06570	1		Bracket, Idler, center Dbl
70	783-06592	1		Bracket, Idler, dbl AutoDrive
71	783-06641	1		Bracket, supt, Pedal Stap
72	683-04521	1		Bracket Assembly, Idler
73	683-04606	1		Bracket Assembly, autoDrive
74	710-1260A	1	/P	Screw, tt, 5/16-18, 0.750, Hxindwsh
75	710-3005	1	/P	Hhcs, 3/8-16, 1.25, Gr5, Std
76	712-04065	1	/P	Nut, flglk, 3/8-16, Grf, nylon
77	738-04162A	1	/P	Spacer, shldrive, .8840 X .190
78	956-04015A	1	/P	Pulley Assembly, var Spd, 4.75 Od
79	683-04522	1		Kepr Assembly, belt
80	683-04612-0637	1		Bracket Assembly, vari Painted
81	710-0627	1	/P	Hhcs, 5/16-24, .750, Gr5, Lock
82	710-0778	1	/P	Screw, tt, 1/4-20, 1.500, Hxindwsh
83	718-04261	1		Cup, Bearing
84	736-0362	1	/P	Washer, flat, .330 X 1.25 X .06, Ht
85	941-0600	1	/P	Bearing, ball, 17x40x12, 6203, Ds
86	634-0104-0911	1	/P	Wheel, 20 x 8 x 8, 42"
87	634-04369-0662	1		Rim Assembly:8.0 X 7.0 X .750 Id
88	934-0255	1	/P	Valve, tubeless Air
89	734-1730-0901	1	/P	Tire, 20 X 8 X 8 Sq Sh
90	736-0242	1	/P	Bell Washerer, .340 x .872 x .060
91	725-04363	1		Switch Interlock



13AX78TS090 (2010)  
Frame & PTO Lift

Page 5 of 21

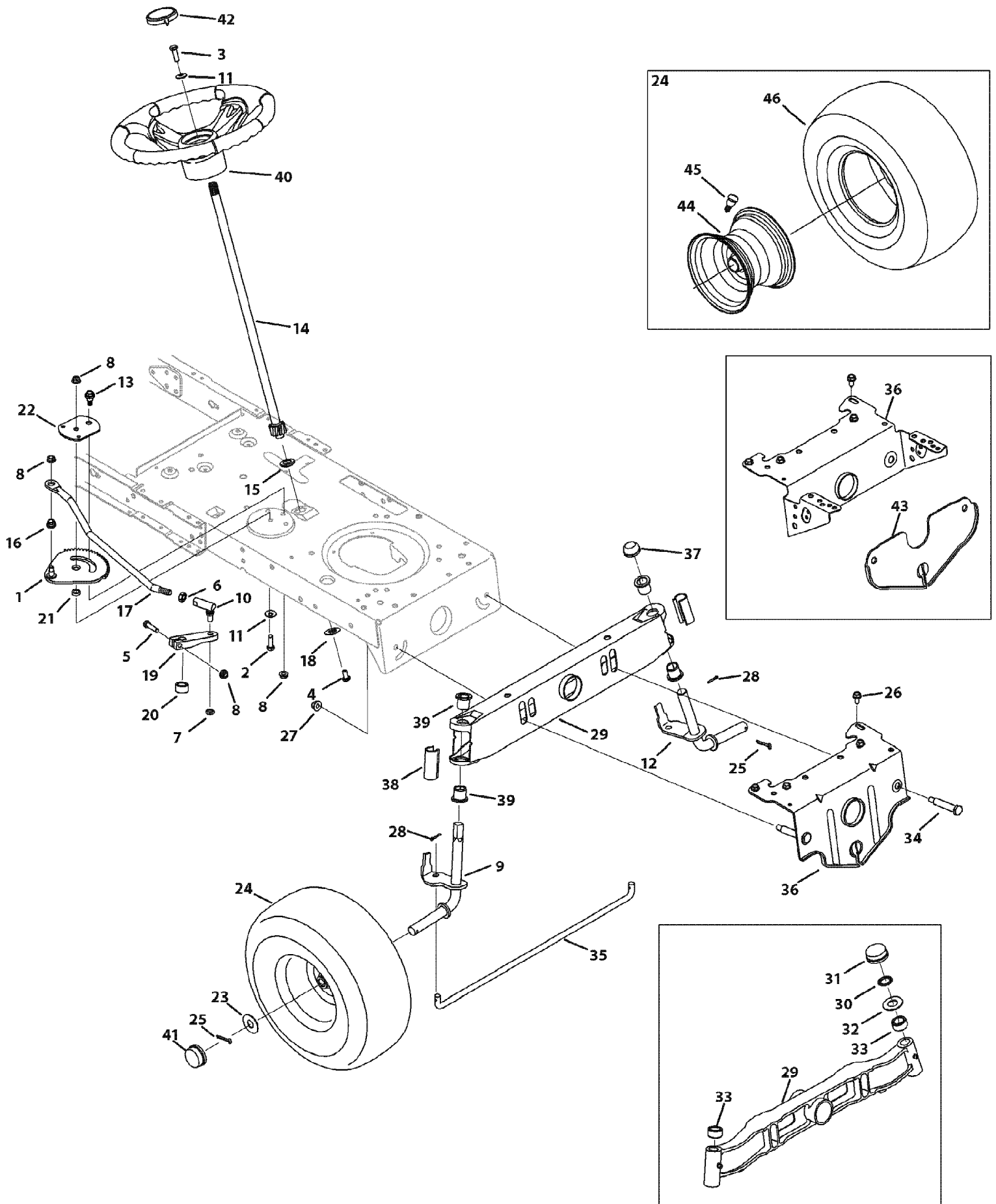
Ref #	Part Number	Qty	S/P/F	Description
1	683-04195-0637	1		Support Bracket
2	683-04601-0637	1		Frame Assembly
3	710-0134	1	/P	Screw Carriage, 1/4-20 x .62
4	710-04484	1		Screw 5/16-18 x .750
5	710-0599	1	/P	Screw, 1/4-20 x .500
6	710-3008	1	/P	Hex Screw, 5/16-18 x .75
7	712-04063	1	/P	Flangelock Nut, 5/16-18
8	712-04064	1	/P	Flangelock Nut, 1/4-20
9	912-0429	1	/P	Hexlock Nut, 5/16-18
10	732-04035	1		Compression Spacer, 1.28 x 3.125
11	736-0173	1	/P	Flat Washer, .28 x .74 x .063
12	738-04237A	1		Shoulder Spacer, 10-32 x .500
13	783-04548C-0637	1	/P	Seat Frame Bracket
14	783-04637-0637	1	/P	Running Board Bracket
15	783-04753-0637	1		Support Frame Bracket
16	783-04869A-0637	1	/P	Battery Bracket
17	710-04666	1		Hex Head Flange, 1/4-20 x .75
18	712-0271	1	/P	Sems Nut, 1/4-20
19	925-1707D	1	/P	230 CCA Battery
20	783-04536B-0637	1	/P	Support Bracket
21	647-04096-0637	1	/P	PTO Handle Assembly
22	683-04155A-0637	1	/P	Lift Assembly, 38/42"
23	712-04065	1	/P	Flangelock Nut, 3/8-16
24	714-04040	1		Bow-tie Cotter Pin
25	716-0106A	1		E Ring
26	720-0311	1		Handle Grip, 1/2
27	732-04225	1		Torsion Spring
28	738-04130	1		Shoulder Bolt, 3/8-16 x .625 x .175
29	941-0225	1	/P	Hex Flange Bearing
30	747-04282	1		Deck Lift Handle
31	747-04393	1		Lift Rod
32	783-04494C-0637	1	/P	38/42" Lift Arm, RH
33	783-04711C-0637	1	/P	38/42" Lift Arm, LH
34	725-04363	1		Switch Interlock
35	683-04334-0637	1	/P	Lift Assembly, 46"
36	710-0604A	1	/P	Screw, 5/16-18 x .625
37	720-0298	1		Handle Grip, 5/8
38	732-04438	1		Torsion Spring Handle, 46"
39	936-0140	1	/P	Flat Washer, .385 x .62 x .063
40	938-0380	1	/P	Shoulder Bolt, 3/8-16 x .500 x .270
41	747-04653	1		46" Lift Handle
42	783-05389-0637	1	/P	Frame Brace Bracket
43	783-0678C-0637	1	/P	Lift Deck Link
44	710-04607	1		Hex Screw, 7/16-20 x 2.75, 46"
44	710-04608	1		Hex Screw, 7/16-20 x 3.25, 38/42"
45	914-0145	1	/P	Click Pin, .092 x 1.64
46	720-04049A	1	/P	Handle Grip, 3/8
47	732-04276A	1	/P	PTO Spring Extension
48	936-0171	1	/P	Regular Duty Washer Lock, 7/16
49	736-0322	1	/P	Flat Washer, .450 x 1.250 x .164
50	741-04119A	1	/P	PTO Bearing
51	683-04448-0637	1	/P	Deck Engage Cable
52	756-04207A	1	/P	3.39 x 6.12, 46"

13AX78TS090 (2010)  
Frame & PTO Lift

Page 6 of 21

Ref #	Part Number	Qty	S/P/F	Description
52	756-04196A	1	/P	Engine Pulley, 3.39 x 6.12, 38/42"
53	683-04448-0637	1	/P	Battery Hold Down Rod
54	936-0300	1	/P	Flat Washer, .406 x .875 x .059
55	747-04857	1	/P	42" Belt Keeper
55	683-04414-0637	1	/P	46" Belt Keeper
56	710-0604A	1	/P	Screw, 5/16-18.0 x .625
57	725-04439	1		12V Solenoid

13AX78TS090 (2010)  
Front End Steering

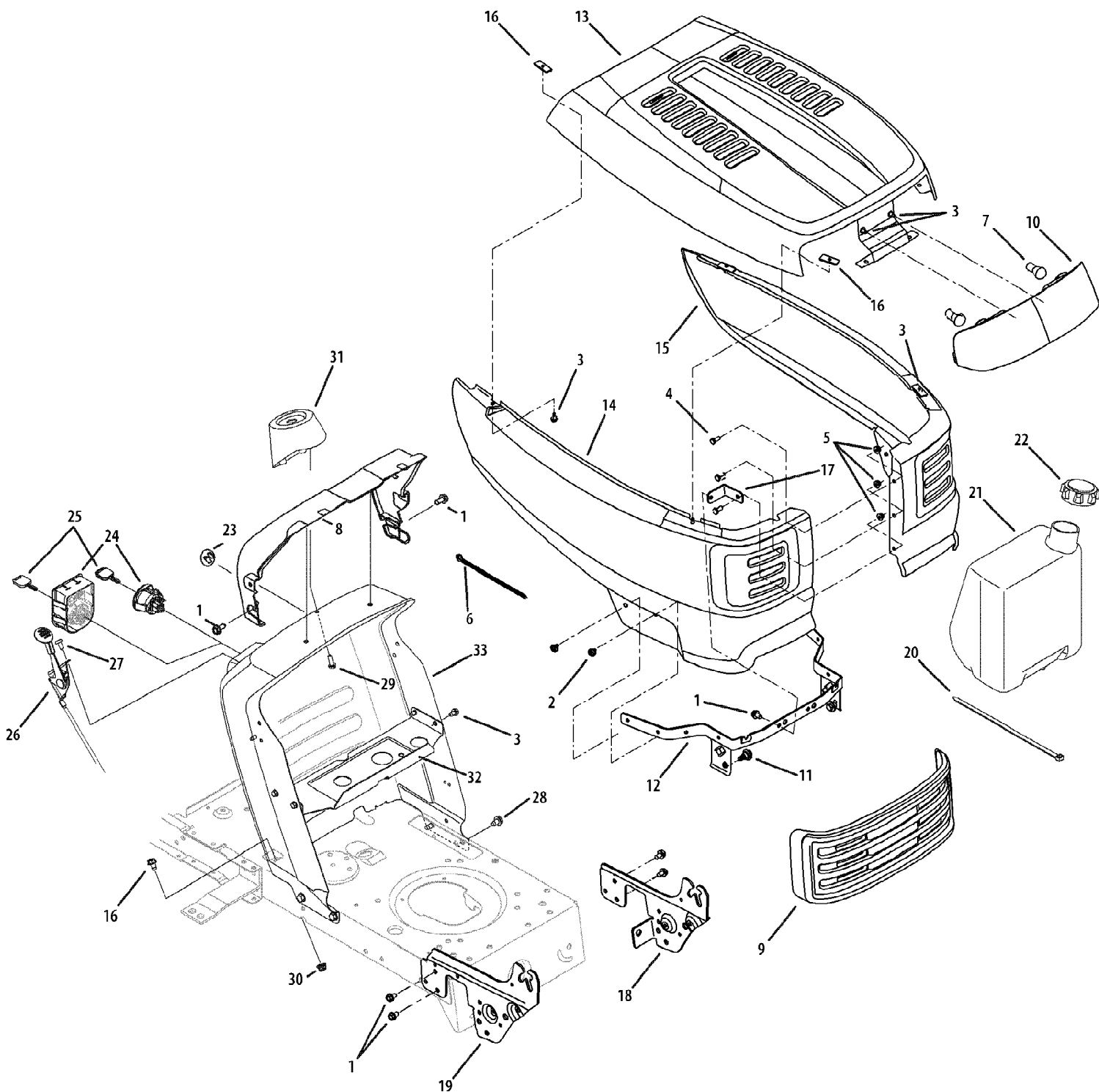


13AX78TS090 (2010)  
Front End Steering

Page 8 of 21

Ref #	Part Number	Qty	S/P/F	Description
1	617-04024	1	S	Front Steering Gear Assembly
2	710-0376	1	/P	Hex Screw, 5/16-18 x 1.00
3	710-0643	1	/P	Hex Screw, 5/16-18 x 1.00, Lock
4	710-1309	1	/P	Machine Screw, 5/16-18 x .750
5	710-3180	1	/P	Hex Screw, 5/16-18 x 1.75
6	912-0240	1	/P	Jam Nut, 7/16-20
7	912-0214	1	/P	Jamlock Nut, 3/8-24
8	712-04063	1	/P	Flangelock Nut, 5/16-18
9	638-04008P	1	/P	Front RH Axle 46"
9	938-04013	1	/P	Front RH Axle
10	923-0448A	1	/P	Ball Joint, 7/16-20
11	736-0242	1	/P	Bell Washer, .340 x .872 x .060
12	938-04007A-0637	1	/P	Front LH Axle 46"
12	938-04014A-0637	1	/P	Front LH Axle
13	738-04141	1		Shoulder Bolt, 5/16-18 x .435 x .350
14	738-0919A	1	/P	Steering Shaft, 5/8 x 22.08
15	941-04124	1	/P	Flange Bearing, 5/8
16	941-0475	1	/P	Plastic Bushing, .380 ID
17	747-04298	1		Steering Link
18	948-0389	1	/P	Cap, 1.25 x .16
19	748-04065-0637	1	/P	Steering Block
20	748-04068	1		Spacer, .71 x .125 x .56
21	750-04418	1		Spacer, .322 x .625 .21
22	783-04644	1	S	Gear Segment Stabilizer Plate
23	736-04228A	1		Flat Washer, .781 x 1.590
24	634-04086-0911	1	/P	Wheel Assembly
24	634-04325-0911	1		Wheel Assembly
25	714-04039	1		Cotter Pin, 5/32 x 1.25
26	710-04484	1		Screw, 5/16-18 x .750
27	712-04065	1	/P	Flangelock Nut, 3/8-16
28	914-0474	1	/P	Cotter Pin, .125 x .75
29	719-04177A	1		Pivot Axle
29	683-0128B-0637	1	/P	Pivot Axle
30	726-04035	1		Push Nut, 3/4
31	731-04693	1		Hub Cap
32	936-0316	1	/P	Flat Washer, .78 x 1.59 x .060
33	748-04068	1		Spacer, .71 x .125 x .56
34	738-04128	1		Shoulder Bolt, 3/8-16 x .500 x 2.38
35	747-04299A	1	/P	Fixed Rod
36	783-05326-0637	1	/P	Pivot Bar Bracket
36	783-04601C-0637	1		Pivot Bar Bracket
37	726-0341	1	/P	Push Cap, 3/4
38	731-04057A	1		Standard Axle Cap
39	741-0660A	1	/P	Flange Bearing, .760 x .941 x 1.0
40	631-04028	1		Steering Wheel
41	931-0484A	1	/P	Hub Cap
42	731-04040	1		Cap
43	783-04568-0637	1		Front Deck Hanger Bracket
44	934-04081-0662	1	/P	Deck Rim Asm, 6.0x4.5, 42/38" Deck
45	934-0255	1	/P	Valve, tubeless Air
46	734-1731-0901	1	/P	Tire, 15 X 6 X 6 Sq Shoulder
46	734-04240A-0901	1		Tire, 15 X 6 X 6 Rd Shoulder

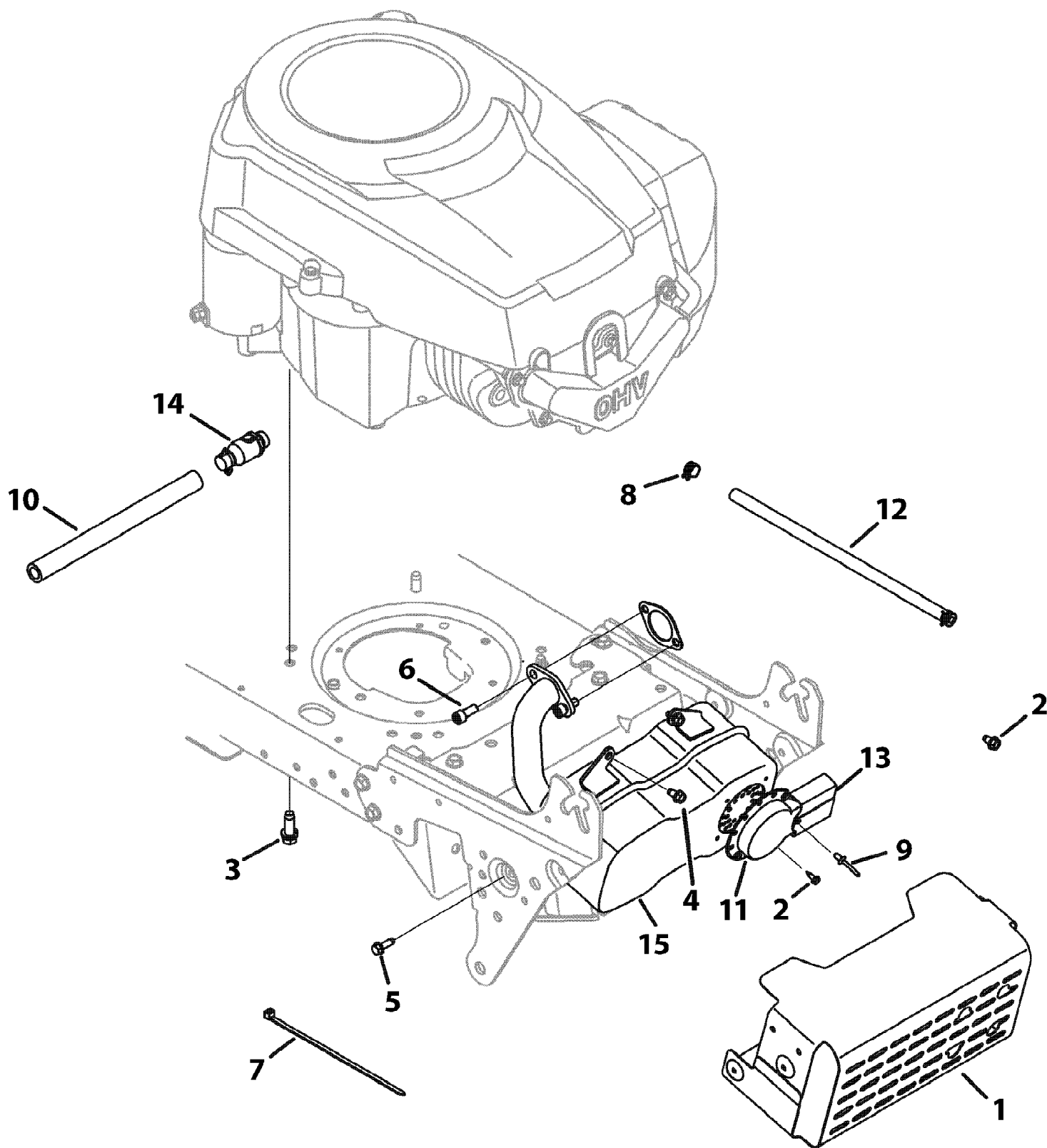




13AX78TS090 (2010)  
Hood & Dash Assembly

Page 10 of 21

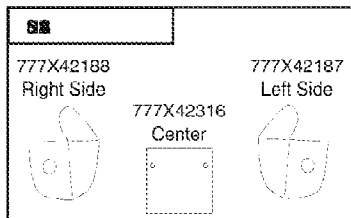
Ref #	Part Number	Qty	S/P/F	Description
1	710-04484	1		Screw, tt, 5/16-18, .750
2	710-04593	1		Screw, tt, 5/16-18, 0.375
3	710-0599	1	/P	Screw, tt, 1/4-20, 0.500
4	710-0751	1	/P	Hex Screw, 1/4-20, .620
5	712-04064	1	/P	Nut, Flange Lock, 1/4-20
6	725-0157	1	/P	Cable tie, 3/16 X .05 X 7.4
7	925-0963	1	/P	Lamp, #1156
8	731-05078C	1	/P	Collar, dash, 1/3/5/K/T Sty Lt-5
9	731-06358	1		Insert, Grille, T-Style
10	731-06414	1		Lens, T-Style
11	738-04091A	1	/P	Screw, Shldr, .43x.29, Tt, 5/16-18
12	783-04606C-0637	1	/P	Bracket, pivot, Hood
13	783-04827-0662	1		Hood
14	783-04828-0662	1		Side Panel, RH
15	783-04967-0662	1		Side Panel, LH W/O Window
16	783-05223	1		Fastener, hood T-Style
17	783-05315-0637	1	/P	Hood Bracket, Front
18	783-05327B-0637	1	/P	Bracket Support, Pivot LH
19	783-05328A-0637	1	/P	Bracket Support, Pivot RH
20	726-0230	1	/P	Cable Tie
21	751-0555B	1	/P	Fuel Tank
22	751-0603A	1	/P	Fuel Cap
23	731-05265	1		Choke Plug
24	925-04659	1	/P	Key Switch (No RMC) 3 Pos.
24	925-04227B	1	/P	Key Switch Module RMC
25	925-1745A	1	/P	Key
26	746-04364	1		Throttle/Choke Cable
27	710-04483	1		Screw, 1/4-20 x .500
28	710-0604A	1	/P	Screw, 5/16-18 x 0.625
29	710-0895	1		Screw, 1/4-15 x 0.750
30	712-04063	1	/P	Flangelock Nut, 5/16-18
31	731-04945	1		Steering Support
32	783-04584A-0637	1	/P	Gas Tank Support Bracket
33	783-04873B-0637	1	/P	Dash



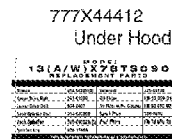
13AX78TS090 (2010)  
Kohler Courage

Page 12 of 21

Ref #	Part Number	Qty	S/P/F	Description
1	683-04549-0637	1	/P	Muffler Shield Assembly with Weld
2	710-0227	1	/P	Screw, 8-18 x .500
3	710-04683	1		Screw, 3/8-16 x 1.0
4	710-0599	1	/P	Screw, 1/4-20 x .500
5	710-0642	1	/P	Screw, 1/4-20 x .750
6	710-1314A	1	/P	Socket Screw, 5/16-18 x .750
7	725-0157	1	/P	Cable Tie
8	726-0205	1	/P	Clamp Hose, .490 diameter
9	728-04000	1		Rivet, .188 x .300
10	751-3141-14	1	/P	Oil Drain, Extension Hose
11	751-0564B	1	/P	Muffler Deflector
12	751-10349-28	1	/P	Fuel Hose, Low Permeation
13	751-10353	1		Muffler Deflector Long
14	951-10517A	1	/P	Oil Drain
15	751-11022A	1		Muffler



BJ label Has Important Emmissions Information



777D12087  
On Top Of Hood  
With Arrow Facing  
Operators Position



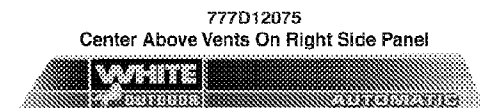
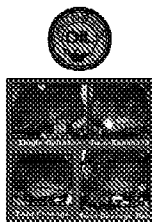
777D10797  
Center On Rear Fender



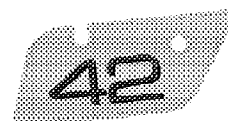
777I22453  
On Fender With The  
PTO Side Next To The PTO  
And The Deck Height Next  
To The Deck Height



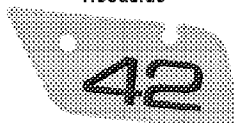
777I22679  
Top Of Engine  
Shown On Correct Engine



777D14573  
Center Around Bolts, Lower Front  
Hoodside



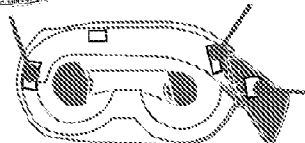
777D14572  
Center Around Bolts, Lower Front  
Hoodside



777D14608  
On Drivers Left  
Side Fender



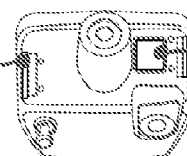
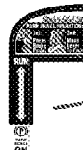
REF: Chute Label



777I22454



777I22469



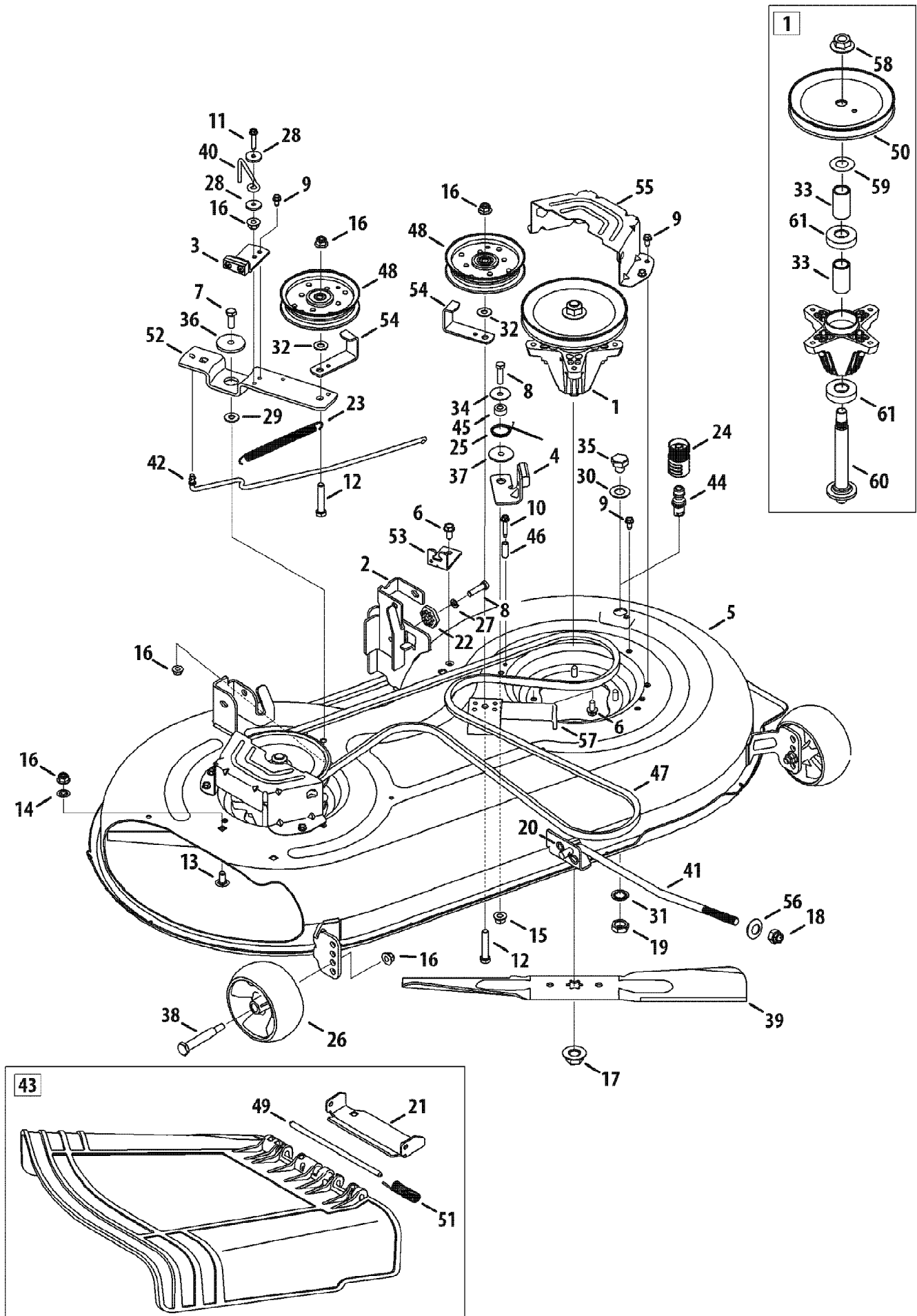
777I22479



13AX78TS090 (2010)  
Label Map 42-Inch

Page 14 of 21

Ref #	Part Number	Qty	S/P/F	Description
777D09788	777D09788	1		LABEL-RDR:WOP:DECK WASH SYSTEM
777D10797	777D10797	1		LABEL-RDR:WHITE LOGO
777D12075	777D12075	1		LABEL-RDR:T SYL HS:WHITE AUTO:R
777D12076	777D12076	1		LABEL-RDR:T SYL HS:WHITE AUTO:L
777D12087	777D12087	1		LABEL-RDR:TOP T/HD:KOHLER
777D14572	777D14572	1		LABEL-RDR:T/LWR GRL:42:R
777D14573	777D14573	1		LABEL-RDR:T/LWR GRL:42:L
777D14608	777D14608	1		LABEL-RDR:46 WHITE TWIN
777I22453	777I22453	1		LABEL-RDR:LT-5 FENDER:PTO:DK
777I22454	777I22454	1		LABEL-RDR:LT-5 FENDER:FNR
777I22469	777I22469	1		LABEL-RDR:LT-5 DASH:HYDRO PAR
777I22479	777I22479	1		LABEL-RDR:LT-5 NON-AMP THRT C
777I22679	777I22679	1		LABEL-RDR:ENG:KOHLER CHK OIL
777S33516	777S33516	1		LABEL-RDR:LT5 AUTO NO RMC
777X42187	777X42187	1		LABEL-RDR:T STYLE GRILL LT
777X42188	777X42188	1		LABEL-RDR:T STYLE GRILL RT
777X42316	777X42316	1		LABEL-RDR:TROY MID REFL
777X44412	777X44412	1		LABEL-RDR:PRTS LST 13AX78TS090



13AX78TS090 (2010)  
Mower Deck 42-Inch

Page 16 of 21

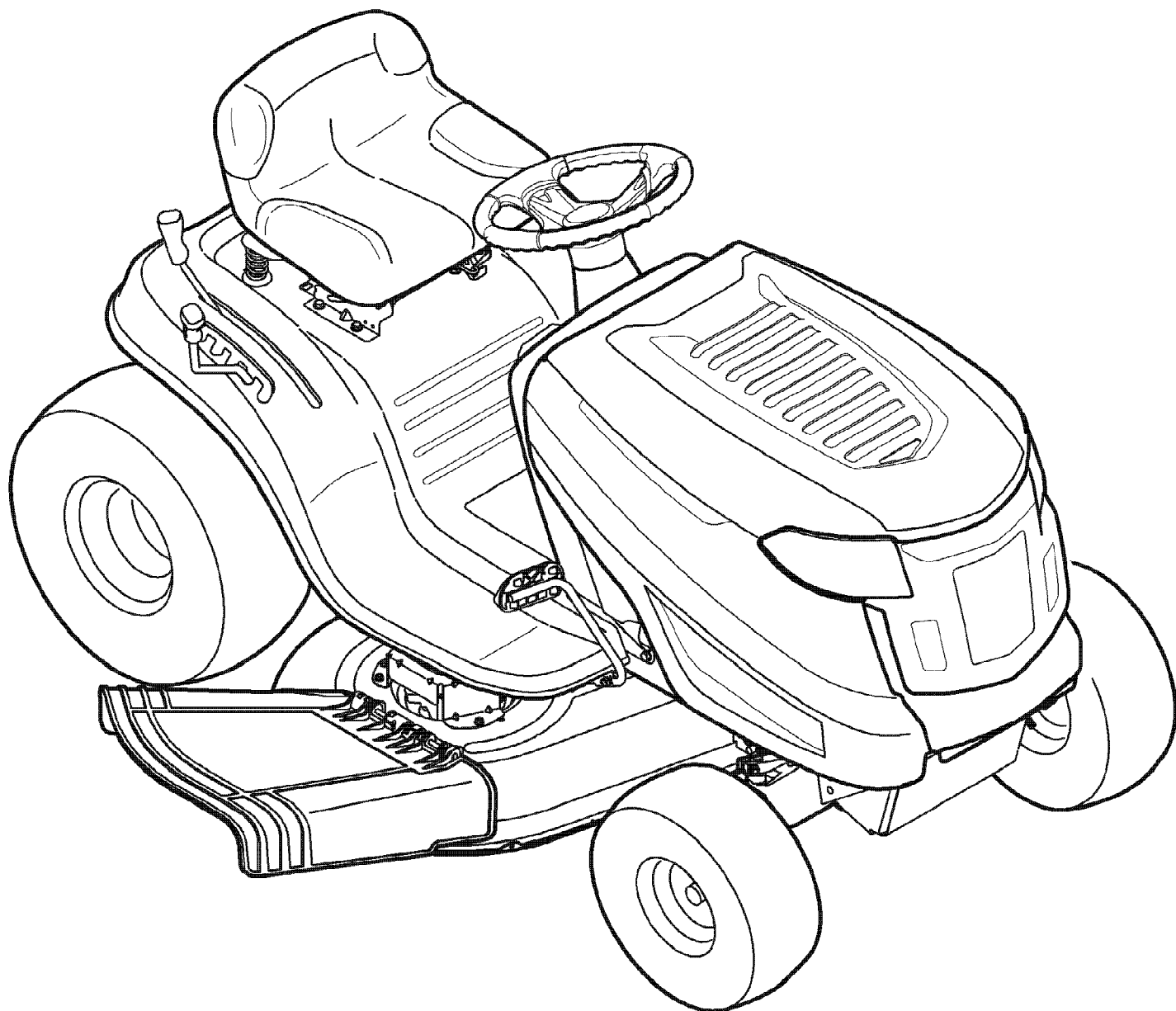
Ref #	Part Number	Qty	S/P/F	Description
1	918-04822A	1	/P	Spindle Assembly, Pulley, 6.3 Dia
2	683-0254B-0637	1	/P	Bracket Assembly, Deck, Hngr Lh Lt
3	983-04511	1	/P	Brake Assembly, Deck, 42/46
4	983-04525	1	/P	Brake Assembly, Deck, 46"
5	983-04570-0637	1	/P	Deck Assembly, Sd, Offset, 42 W/O Wheel
5	983-04572-0637	1	/P	Deck Assembly, Sd, Offset, 42 W/ 2Wheel
6	710-04484	1		Screw, Tt, 5/16-18, .750, Hxindwsh
7	710-0514	1	/P	Hhcs, 3/8-16, 1.00, Gr5, Std
8	710-0528	1	/P	Hhcs, 5/16-18, 1.25, Gr5, Std
9	710-0599	1	/P	Screw, Tt, 1/4-20, 0.500, Hxindwsh
10	710-0778	1	/P	Screw, Tt, 1/4-20, 1.500, Hxindwsh
11	710-0809	1		Screw, Tt, 1/4-20, 1.250, Hxindwsh
12	710-3144	1	/P	Hhcs, 3/8-16, 2.00, Gr5, Std
13	710-3178	1	/P	Bolt, Crg, 3/8-16, 0.75, Gr1
14	712-0229	1		Nut, Push, 3/8
15	712-04063	1	/P	Nut, Flgk, 5/16-18, Grf, Nylon
16	712-04065	1	/P	Nut, Flgk, 3/8-16, Grf, Nylon
17	712-0417A	1	/P	Nut, Flg, 5/8-18
18	712-04243	1		Nut, Flxk, 1/2-13
19	912-0641	1	/P	Nut, Hex, M16-1.5 Din 936
20	714-04043	1		Bow-Tie Cotter Pin
21	783-06074A	1		Chute Bracket
22	917-04074	1	/P	Gear, Deck, Adj
23	932-0384	1	/P	Spring, Extension, .62 Dia X 6.12 Lg
24	921-04041	1	/P	Water Nozzle Adapter
25	732-04727	1		Spring, Torsn, .992 I.D X 1.17 O.D
26	734-04155	1		Wheel, Deck, 5.0 Dia Ball
27	936-0119	1	/P	Washer, Lock, 5/16, Regular Duty
28	936-0176	1	/P	Washer, Flat, .265 X .938 X .120
29	936-0344	1	/P	Washer, Flat, .385 X 1.0 X .030
30	736-0187	1	/P	Washer, Flat, .64 X 1.24 X .06, Ht
31	736-0225	1	/P	Washer, Lock, 5/8, Int Tooth
32	736-0262	1	/P	Washer, Flat, .385 X .870 X .092
33	750-04936	1		Spacer, .792 X 1.060 X 1.860 Lg
34	736-0362	1	/P	Washer, Flat, .330 X 1.25 X .06, Ht
35	738-04146	1		Plug, Bolt, M16 X 1.5
36	738-04162A	1	/P	Spacer, Shoulder, .8840 X .190
37	738-04166	1		Spacer, Shoulder, .5000 X .1475
38	938-3056	1	/P	Bolt, Shoulder, .496 X 2.50, 3/8-16
39	942-04308	1	/P	Blade, Cut, 21.23" 2-In-1, Econ
40	747-04530	1		Rod, Keepr, Belt 42 Idler
41	747-04944B	1	/P	Rod, Lift, Deck, Frt, 13.7
42	747-05105	1		Rod, Cont, Brake 42"
43	631-04460	1		Chute Assembly, 42" Deck, Exp
44	737-04003D	1	/P	Deck Water Nozzle
45	750-0258	1	/P	Spacer, .315 X .750 X .375 Lg
46	750-0566A	1	/P	Spacer, .260 X .375 X 1.030 Lg
47	954-04060B	1	/P	Belt, V Typ, A Sec X 96.5
48	756-04129B	1	/P	Pulley, Idler, 4.25"Dia
49	711-04847A	1	S	Pin, Hinge, Dia .3125 X 7.96 Lg
50	956-1227	1	/P	Pulley, Deck, 6.3 Dia
51	732-04372	1		Spring, Torsion, .44 I.D. X 2.0
52	783-05946	1		Bracket, Idler, Piv, 46



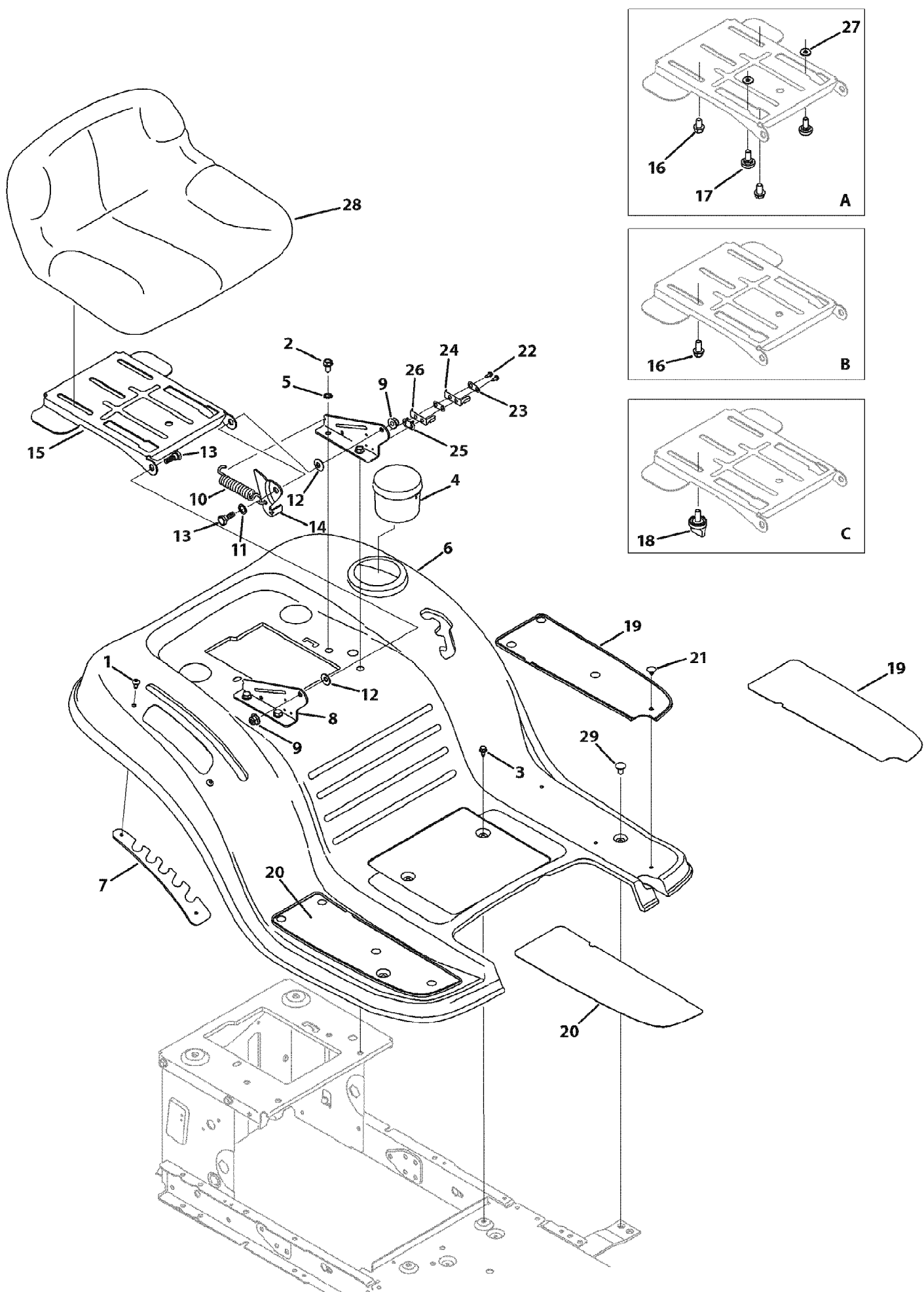
13AX78TS090 (2010)  
Mower Deck 42-Inch

Page 17 of 21

Ref #	Part Number	Qty	S/P/F	Description
53	783-06243-0637	1		Bracket, Cable, Deck Engage
54	783-06368-0637	1	S	Bracket, Guard, Belt, 4.25 Pulley
55	783-06424A-0637	1		Cover, Belt, Deck, 42
56	748-04069	1		Deck Lift Pivot Cup
57	783-06643-0637	1		Bracket, Supt, Deck Stationary Idler
58	712-0417A	1	/P	Nut, Flg, 5/8-18
59	936-0351	1	/P	Washer, Flat, .760 Idx1.50 Od
60	738-1186A	1		Shaft, Spindle, 6.11 Lg.
61	941-0919	1	/P	Bearing, Ball, .787id X 1.85 Odx.551



Ref #	Part Number	Qty	S/P/F	Description
	759-3336	1	/P	Spark Plug
	KH-12-050-01-S	1	/P	Oil Filter
	KH-20-883-02-S1	1	/P	Pre Filter
	KH-20-883-02-S1	1	/P	Air Filter
	KH-25-050-21-S	1	/P	Fuel Filter
	751-0603A	1	/P	Fuel Cap Replaces 751-3111
	951-10947	1	/P	Fuel Cap - California
	KH-12-757-33	1	/P	Solenoid
	918-04822A	1	/P	Deck Spindles
	942-04308	1	/P	Blades
	712-0417A	1	/P	Blade Nuts
	734-04155	1		Deck Wheels
	923-0448A	1	/P	Ball Joints
	925-1745A	1	/P	Ignition Keys
	N/A	1		Control Cable
	946-04173B	1	S	Deck Engagement Cable
	746-04364	1		Throttle Cable
	954-04208	1	/P	Upper Drive Belt
	954-0467	1	S	Lower Drive Belt
	954-04060B	1	/P	PTO/Deck Spindle Belt
	725-04363	1		Safety Switch - Brake
	725-04363	1		Safety Switch - Deck
	631-04460	1		Discharge Chute
	925-1707D	1	/P	Battery
	19A30003OEM	1		Double Bagger 42 inch Attachment
	19A30006100	1		Mulch Kit 42 inch Attachment
	OEM-190-607	1		Tractor Sunshade Attachment
	OEM-190-679	1	/P	Bumper Attachment
	OEM-190-032	1	/P	Snow Thrower, Two Stage Attachment
	OEM-19A-218	1		Rear Weight Kit Rear weight bar w/weight, attachment
	OEM-190-658	1	S	Tire Chains, 20x8 Attachment
	OEM-190-833	1	/P	Front Dozer Blade Attachment



13AX78TS090 (2010)  
Seat & Fender

Page 21 of 21

Ref #	Part Number	Qty	S/P/F	Description
1	710-04483	1		Screw, 1/4-20 x .500
2	710-04484	1		Screw, 5/16-18 x .750
3	710-0599	1	/P	Screw Pan Torx Head, 1/4-20 x .500
4	731-04591A	1	/P	Cup Holder
5	736-0607	1	/P	Loack Washer, 5/16
6	783-04587C-0650	1		Fender - Red Metallic
7	783-04843-0637	1		Lift Adjuster Bracket - Powder Black
8	783-1489C-0637	1	/P	Seat Mount Bracket - Powder Black
9	712-04063	1	/P	Flangelock Nut, 5/16-18
10	732-1184	1	/P	Extension Spring
11	936-0108	1	/P	Flat Washer, .510x .750 x .033
12	736-0242	1	/P	Bell Washer, .340 x .872 x .060
13	938-0296	1	/P	Shoulder Screw, 5/16-18 x .437 x .268
14	783-0209D	1	/P	Lift Seat Bracket
15	783-04081C-0637	1	/P	Pivot Seat Manual Adjust Bracket
16	710-04482	1		Hex Head Flange, 3/8-16 x .875
17	738-04012A	1	/P	Shoulder Screw, 3/8-16 x .625 x .145
18	720-04061	1		Knob, 3/8-16 x .875
19	735-04047	1		Foot Pad, LH
19	723-04026	1		Foot Pad, Abrasive, LH
20	735-04048	1		Foot Pad, RH
20	723-04025	1		Foot Pad, Abrasive, RH
21	726-04072A	1	/P	Ratchet Clip, .250 x .500
22	710-0227	1	/P	Screw, 8-18 x .500
23	726-0279	1		Insulator Plate
24	925-1303	1	/P	Outer Seat Spring
25	726-0278	1		Insulator Boss Plate
26	725-1439	1		Inner Seat Spring
27	936-0140	1	/P	Flat Washer, .385 x .62 x .063
28	757-04083	1		Medium Back Seat, Black, Set-up B 78TS
28	757-04088	1		High Back Seat, Black, Set-up B 78TT
29	710-0134	1	/P	Screw Carriage, 1/4-20 x .62